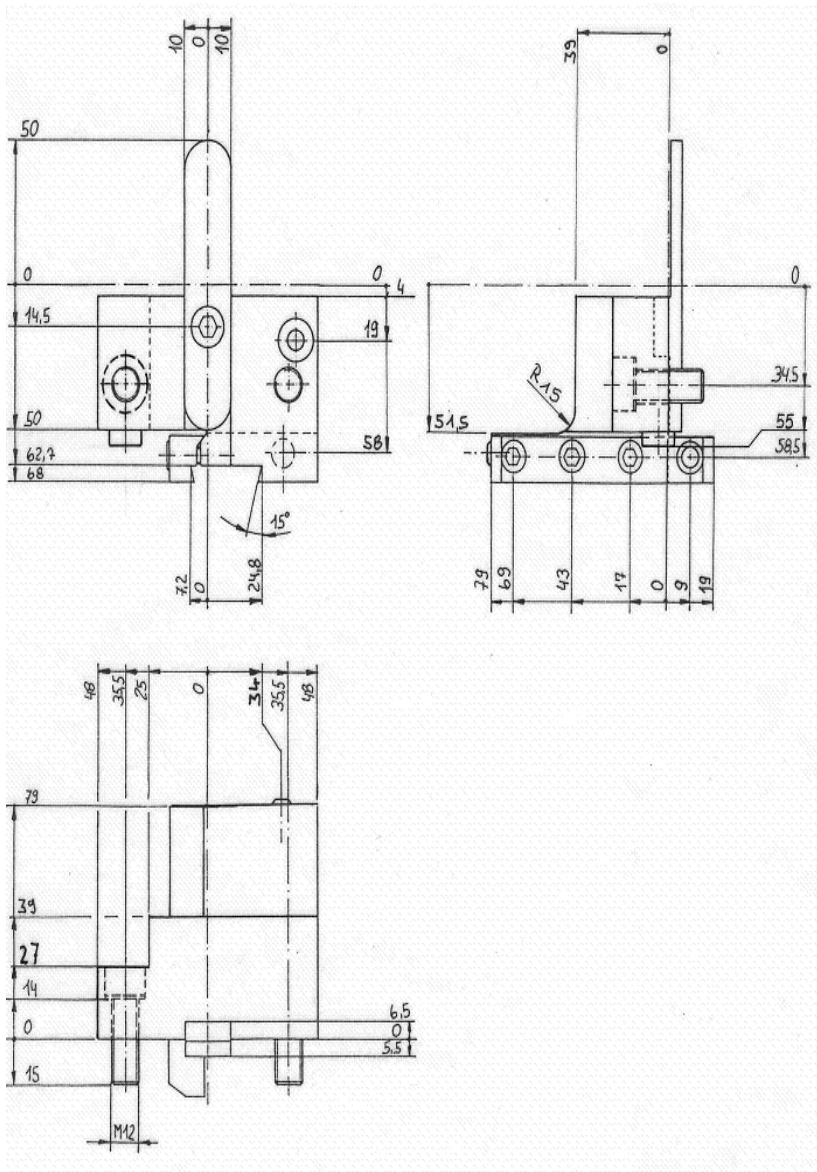


825 The Ridge  
 St Leonards-on-sea  
 East Sussex  
 TN37 7PX

TEL: 01424 753174  
 FAX: 01424 753089  
 www.pcmtooling.co.uk  
 e-mail: ukpcmtlg@aol.com



**8 224 13 001 Parting Off Holder SH32**  
 Machine Adaption: Centre Pin b20  
 Tool Adaption: 32 x 5,3  
 Internal / External Coolant