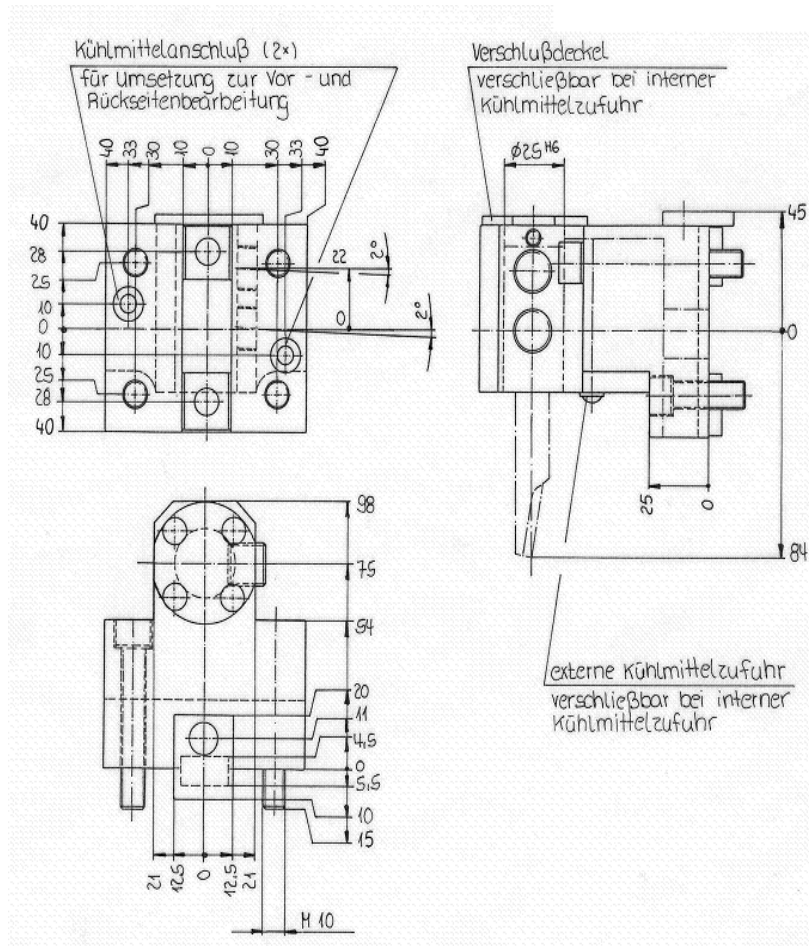


PCM

Tooling (UK) Limited

825 The Ridge
St Leonards-on-sea
East Sussex
TN37 7PX

TEL: 01424 753174
FAX: 01424 753089
www.pcmtooling.co.uk
e-mail: ukpcmtlg@aol.com



8 240 17 008 Boring Bar Holder Ø 25 DIN1835 E
Notation: Offset
Version: Special
Machine Adaption: Centre Pin b20
Tool Adaption: DIN1835-E 25
Internal / External Coolant
Centre Distance: 75mm