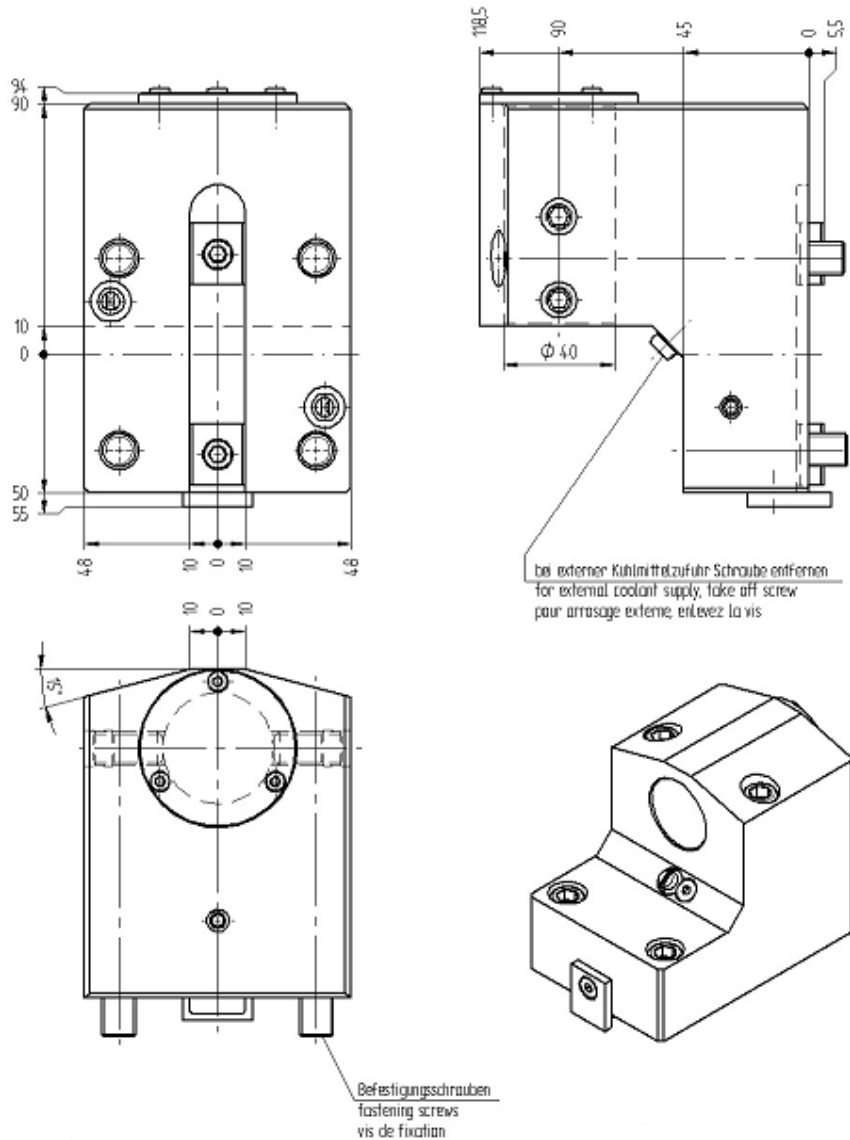


PCM

Tooling (UK) Limited

825 The Ridge
St Leonards-on-sea
East Sussex
TN37 7PX

TEL: 01424 753174
FAX: 01424 753089
www.pcmtooling.co.uk
e-mail: ukpcmtlg@aol.com



8 240 19 005 Boring Bar Holder Ø 40 Offset
Notation: 180° Reversible
Machine Adaption: Centre Pin b20
Tool Adaption: Ø 40
Internal / External Coolant
Centre Distance: 90mm