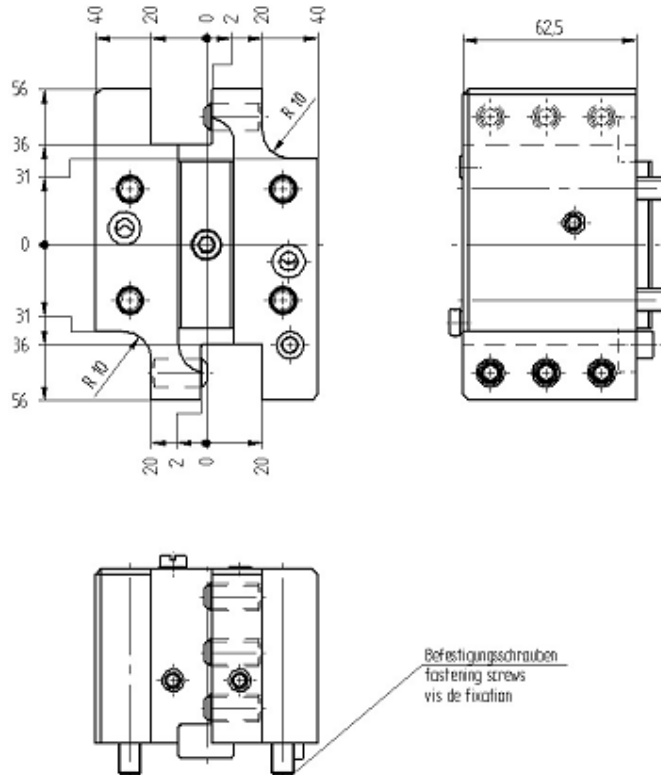


825 The Ridge
 St Leonards-on-sea
 East Sussex
 TN37 7PX

TEL: 01424 753174
 FAX: 01424 753089
 www.pcmtooling.co.uk
 e-mail: ukpcmtlg@aol.com



8 251 11 004 DoubleTurning Tool Holder Vkt. 20
 Notation: 180° Reversible
 Machine Adaption: Centre Pin b20
 Tool Adaption: 2 x Vkt. 20
 External Coolant