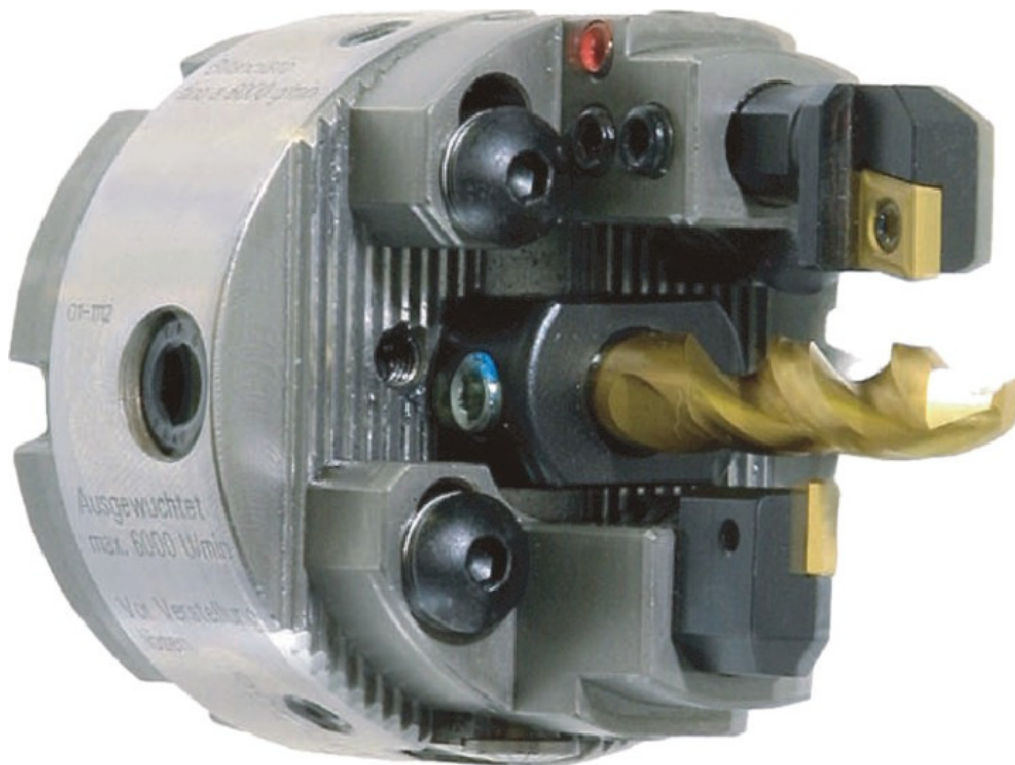




PTH 46

Collet Attachment Tooling System - Precision Turning Heads



HME TRADING AG

Im Obersteig 14

CH-8840 Einsiedeln

Tel +41 55 412 58 60

Fax +41 55 412 58 32

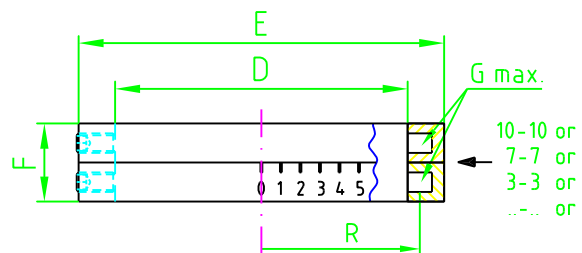
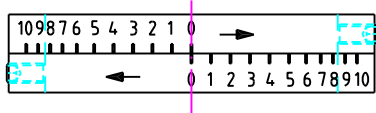
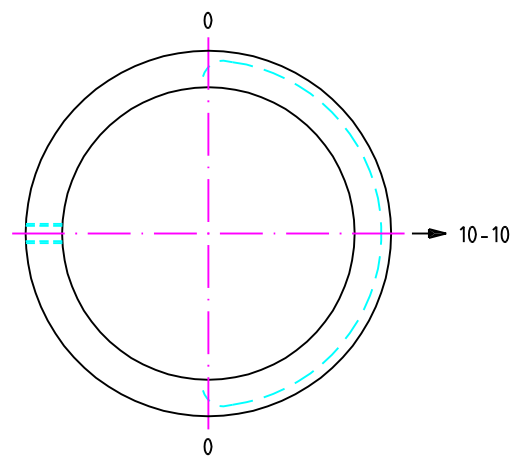
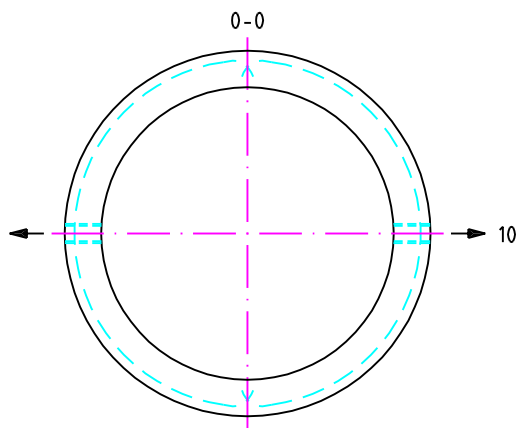
Homepage www.hmeag.ch



Precision Turning Head PTH 462

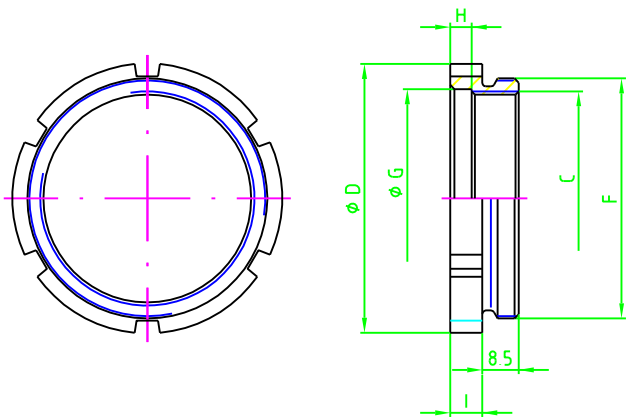
CATS NR.	A	D	L	Adaptor	Option
46201	46	8	41	M38x1	Adjustable balance ring Ø60

Radial micrometric adjustment : 5mm
 Axial adjustment : 5mm
 Center height adjustment : ±0.5mm



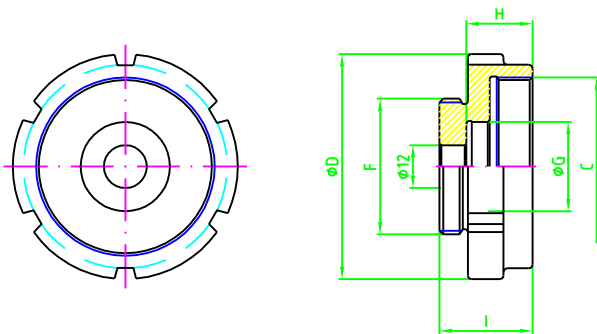
Adjustable balance ring

CATS NR.	D	E	F	R	G max. mm ³	For CATS-Head
46291	46	60	16	26	4400	PTH 462



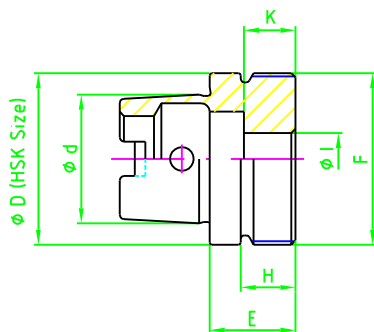
Interchangeable high power clamping nuts (DIN 6499)

CATS NR.	C	D	F	G	H	I	For CATS Heads
38500-21	M32x15	42	M38x1	32.5	4	6.5	PTH 462
38500-22	M25x15	42	M38x1	32.5	4	6.5	PTH 462
38500-23	M22x15	42	M38x1	32.5	4	6.5	PTH 462
38500-24	M33x15	42	M38x1	33.5	4	6.5	PTH 462 (Eubama)
38500-25	M24x12.5	42	M38x1	32.5	4	6.5	PTH 462
38500-26	M30x1	42	M38x1	32.5	4	6.5	PTH 462
38500-27	M24x1	42	M38x1	32.5	4	6.5	PTH 462 (Rego/Schaublin)



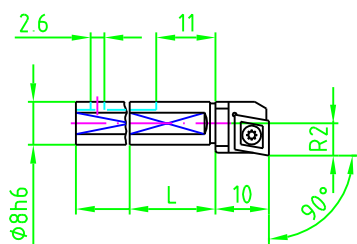
Special adaptor nut

CATS NR.	C	D	F	G	H	I	For CATS Heads
46500-21	M50x15	63	M38x1	25	18.5	26	PTH 462 Hydromat VE30/60
46500-22	M40x15	63	M38x1	16	15	23	PTH 462 Hydromat VE20/50



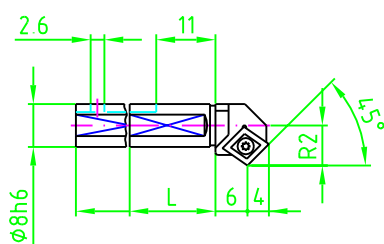
Spindle adaptor DIN-HSK-C32

CATS NR.	D	d	E	F	H	I	K	For CATS Heads
94132	32	24	20	M32x15	14	12	32	PTH 462



Insert holder 90° for cutting tips CCMT 06 ...

CATS NR.	R2	L	Capacity
38511	6	18	$\phi 6 - 16$
38513	6	30	$\phi 6 - 16$
38521	9	18	$\phi 0 - 10$
38523	9	30	$\phi 0 - 10$



Insert holder 45° for cutting tips CCMT 06 ...

CATS NR.	R2	L	Capacity
38551	6	18	$\phi 6 - 16$
38553	6	30	$\phi 6 - 16$
38561	9	18	$\phi 0 - 10$
38563	9	30	$\phi 0 - 10$

